

SER-LAN

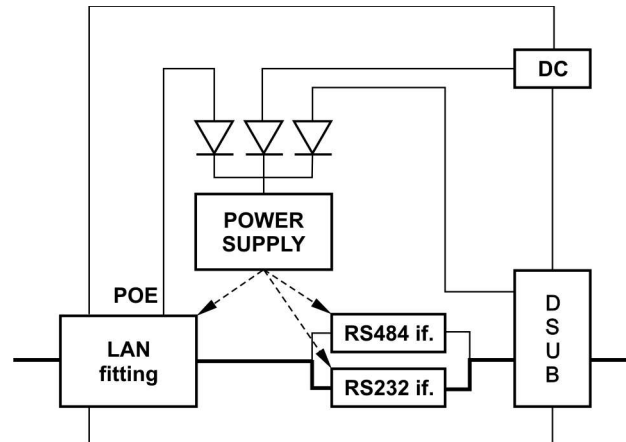
SERIAL-ETHERNET CONVERTER



RESORT
ELEKTRONIKA

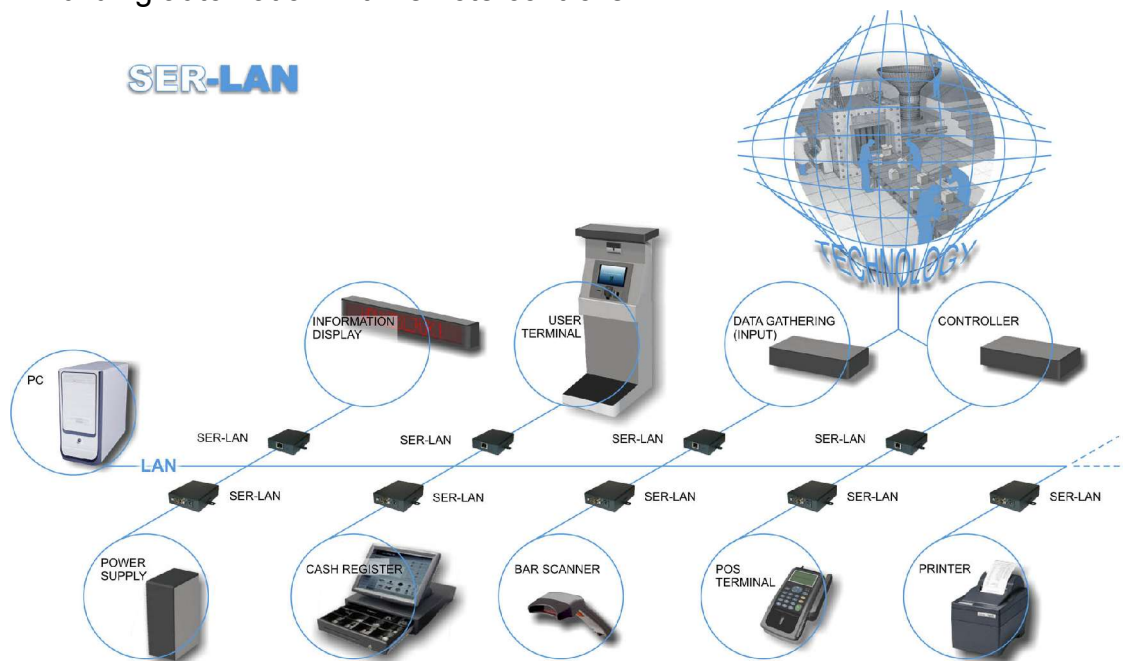
RESORT Biztonságtechnikai Kft.
H-1137 Budapest, Szent István park 2.
Telefon: (1) 450-1583
Fax: (1) 450-1585
E-mail: info@resort.hu
www.resort.hu

SERIAL-ETHERNET CONVERTER



Field of application:

- Equipment with serial port connected to LAN or WLAN (UPS, telecom center etc.)
- Remote controlling of PLCs by PC
- Building automation with remote controller



Own development:

- Web-server for serial application

SERIAL-ETHERNET CONVERTER

Properties:

- From Ethernet RJ45 connector
- Serial: RS232C (DSUB9) or RS485
- Power assumption: 9...32V (max. 200 mA), DC PS connection (5,5/2,1 mm)
- Alternative power assumption: PoE (Power over Ethernet) or through serial connection (DSUB)
- Metal chassis with mounters (85 x 67 x 23 mm)



Technical parameters:

RJ45 connector		
point	Sign name	notes
1	TX+	Magnetics center tap provide POE
2	TX-	
3	RX+	Magnetics center tap provide POE
6	RX-	
4		4-5 connected POE
5		
7		7-8 connected POE
8		
GND		shield, chassis ground

DSUB connector			
point	RS232	RS485	notes
1	NC	NC	
2	RXD	-	
3	TXD	+	
4	NC	NC	
5	GND	GND	
6	NC	NC	
7	RTS	NC	
8	CTS	NC	
9	ALT. POWER IN	ALT. POWER IN	9-32V DC 200mA

Network parameters	
Network interface	RJ45 Ethernet 10Base-T or 100Base-TX (auto-sensing)
Compliance	Ethernet: Version 2.0/IEEE 802.3 (electrical) Ethernet II frame type. IEEE 802.3af (when PoE-enabled)
Protocols supported	ARP, UDP/IP, TCP/IP, Telnet, ICMP, SNMP, DHCP, BOOTP, TFTP, Auto IP, SMTP, and HTTP
LEDs	10Base-T and 100Base-TX Link. Full/half duplex activity
Management	Internal web server, SNMP (read only) Serial login, Telnet login, XML
E-mail	SMTP client: can send email to multiple users, can attach files to email. Configurable Pins (CPs) can trigger emails
Security	SSL v2, SSH v3, Rijndael 256-bit encryption, password protection, IP address filtering, locking features, hardened OS and stack
Internal Web-server	Servers static and dynamic CGI-based pages Storage capacity: 1.3 MB using industry standard filesystem

RESORT Biztonságtechnikai Kft. H-1137 Budapest, Szent István park 2.
telefon.: (1) 450-1583; fax: (1) 450-1585; e-mail: info@resort.hu

w w w . r e s o r t . h u