

SER-WLAN

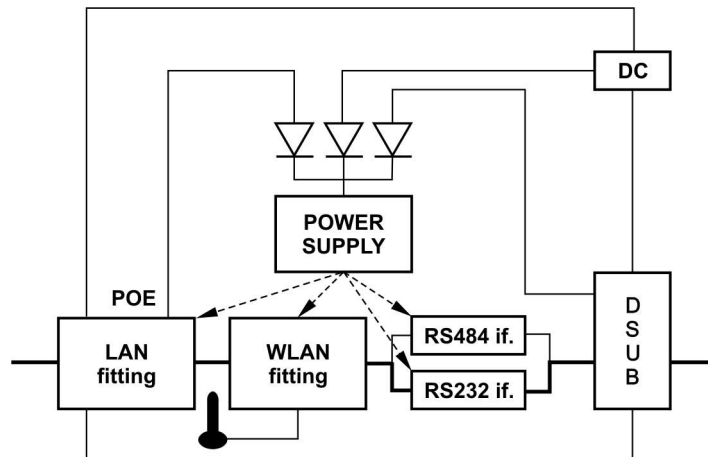
SERIAL-WIRELESS LAN CONVERTER



RESORT
ELEKTRONIKA

RESORT Biztonságtechnikai Kft.
H-1137 Budapest, Szent István park 2.
Telefon: (1) 450-1583
Fax: (1) 450-1585
E-mail: info@resort.hu
www.resort.hu

SERIAL-WIRELESS LAN CONVERTER



Field of application:

- Equipment with serial port connected to LAN or WLAN (UPS, telecom center etc.)
- Wi-Fi – Ethernet bridge
- Remote controlling of PLCs by PC
- Building automation with remote controller

SER-WLAN



Own development:

- Web-server for serial application

SERIAL-WIRELESS LAN CONVERTER

Properties:

- From Ethernet RJ45 connector
- WLAN antenna with RPSMA connector
- Serial: RS232C (DSUB9) or RS485
- Power assumption: 9...32V (max. 300 mA), DC PS connection (5,5/2,1 mm)
- Alternative power assumption: PoE (Power over Ethernet) or through serial connection (DSUB)
- Metal chassis with mounters (85 x 67 x 23 mm)



Technical parameters:

RJ45 connector		
Point nr.	Sign name	Notes
1	TX+	Magnetics center tap provide POE
2	TX-	
3	RX+	Magnetics center tap provide POE
6	RX-	
4		4-5 connected POE
5		
7		7-8 connected POE
8		
GND		shield, chassis ground

SERIAL-WIRELESS LAN CONVERTER

DSUB connection			
point	RS232	RS485	notes
1	NC	NC	1
2	RXD	-	
3	TXD	+	
4	NC	NC	
5	GND	GND	
6	NC	NC	
7	RTS	NC	
8	CTS	NC	
9	ALT. POWER IN	ALT. POWER IN	9-32V DC 300mA

Network parameters	
Frekvency range	2.412 – 2.484 GHz
Data rates	1,2,5.5,11Mbps(802.11b) 6,9,12,18,24,36,48,54Mbps(802.11g)
Number of selectable subchannels	Up to 14 channels. Profiles available will include USA, France, Japan, Spain, Canda and “Other”
Security	WEP 64/128, WPA – PSK, TKIP, AES end-to-end encryption
Max. receive level	-10 dBm (with PER < 8%)
Receiver sensitivity	-72dBm for 54Mbps, -87 dBm for 11Mbps, -89 dBm for 5.5Mbps, -90 dBm for 2.0Mbps, -92 dBm for 1.0Mbps
Network interface	Wireless 802.11b, 802.11g and 10/100 Ethernet
Protocols supported	ARP, UDP, TCP, Telnet, ICMP, SNMP, DHCP, BOOTP, Auto IP, HTTP, SMTP, TFTP
Range	Up to 328 feet (100m) indoors
Modulation techniques	OFDM, DSSS, CCK , DQPSK , DBPSK , 64 QAM, 16 QAM
Transmit out power	14 dBm + 1.5dBm/- 1.0 dBm
Management	Internal web server, SNMP (read only) Serial login, Telnet login, DeviceInstaller software
Internal web server	Serves web pages, Storage capacity: 1.2 MB